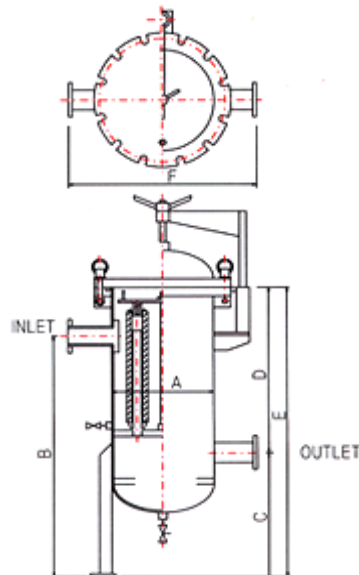


CSM Stainless Steel Filter Housing



- Pressure : A work according to a demand of a customer.
- Material : C.S, SUS 304, 316L
- Connector : A work according to a demand of a customer.
- Feature : industrial large size housing all a condition a wor
by a demand of a customer.



Ordering Information

1	2	3	4	5
Model	No. of cartridge		Connections	O-ring Material
	No.	Length	Inlet/Outlet	
D:Depth	003 : 3EA	A : 10"	040 : 40A	E : EPDM
DJ:Depth Jumbo	006 : 6EA	B : 20"	050 : 50A	T : Teflon encapsulated viton
	009 : 9EA	C : 30"	060 : 60A	
JP:Jumbo Pleated	.	D : 40"	.	
	.		.	
	.		.	
	.		.	
	200 : 200EA		300 : 300A	